



ADM-2124AP

Panel Mount 24-inch Projected Capacitive Touch Display



Features

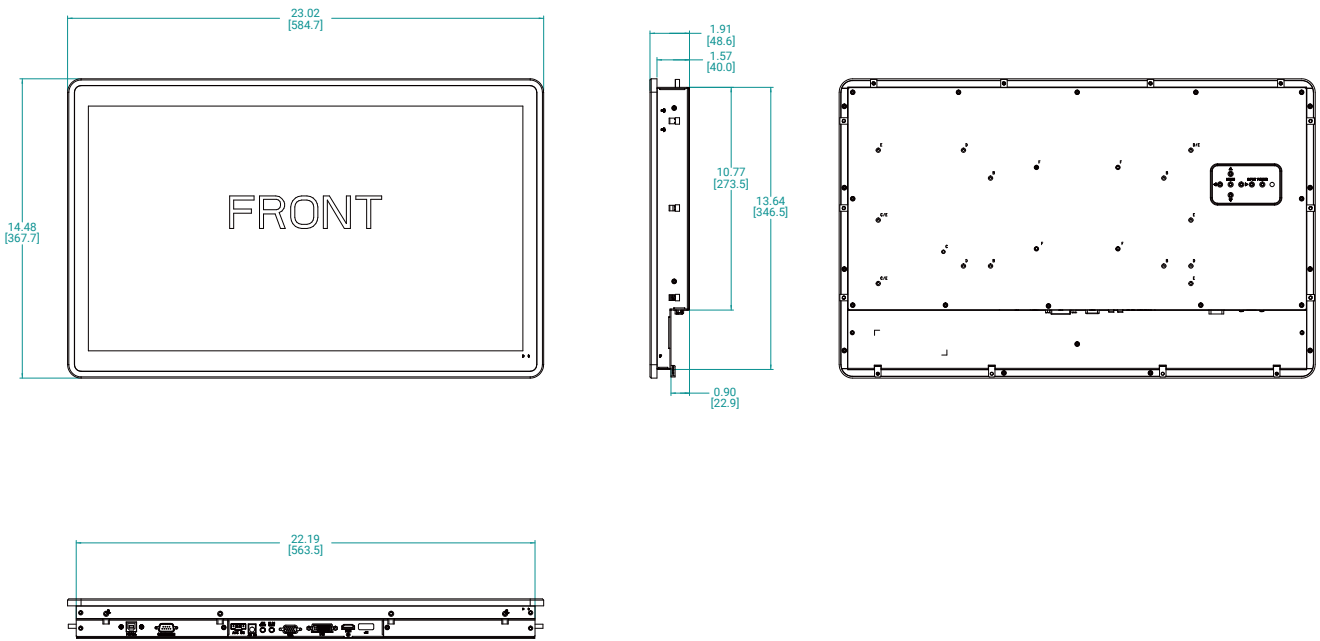
- 24" LCD, 1920 x 1080 Resolution
- Flush Bezel Panel Mount Design
- NEMA 4/4X Front Bezel
- Aluminum or Stainless-Steel Bezel
- VGA, DVI, HDMI, DP Input
- Projected Capacitive Touch
- USB Touch Interface
- 24VDC Operating Voltage

Specifications

Model Name	ADM-2124AP
LCD Display	
Display Size (Diagonal)	24 inch
Resolution	1920 x 1080
Backlight Lifetime (Hours)	50,000
Visual Characteristics	
Colors	16.7 million
Aspect Ratio	16:9
Viewing Angle (V/H)	178° / 178°
Contrast Ratio	5000 : 1
Brightness	250 nits
Input Interface	
VGA	Yes
DVI	Yes
HDMI	Yes
Display Port	Yes
CVBS	N/A
YPbPr	N/A
Touch Screen	
Technology	Projected Capacitive
Interface	USB
Driver	Win 7, Win10
Front Bezel	
NEMA 4	Aluminum
NEMA 4X	Stainless Steel (Optional)
Power/Thermal Specs	
Power Requirement (Max)	24VDC / 0.85A
Power Consumption (Max)	21 W
Recommended Power Supply	29 W
Heat Dissipation	70 BTU/hr
Physical Information	
Mounting	Panel Mount
Net Weight	20 lbs / 9.07 kg
Dimension (W x H x D)	22.98 x 14.44 x 2.05 inch 583.7 x 366.7 x 52.0 mm
Recommended Cutout Dimension (WxH)	22.38 x 13.83 inch 568.5 x 351.5 mm
Environmental	
Operating Temperature	0 to 50°C (32 to 122°F)
Storage Temperature	-20 to 60°C (-4 to 140°F)
Relative Humidity	0~95%
IP/NEMA Rating	Bezel meets NEMA 4/4X requirement
Certification	N/A

Dimension Drawing

Model Name: ADM-2124AP
 Size Unit: inch(mm)



Ordering Information

Item	ADM-2124AP-000	ADM-2124AP-001
LCD Display	24" LCD / 1920 x 1080	24" LCD / 1920 x 1080
Touch Screen	Projected Capacitive	Projected Capacitive
Bezel	Aluminum	Aluminum
Power Supply	24VDC Input	110/220VAC Input DIN-Rail

Item	ADM-2124AP-004	ADM-2124AP-005
LCD Display	24" LCD / 1920 x 1080	24" LCD / 1920 x 1080
Touch Screen	Projected Capacitive	Projected Capacitive
Bezel	Stainless Steel	Stainless Steel
Power Supply	24VDC Input	110/220VAC Input DIN-Rail